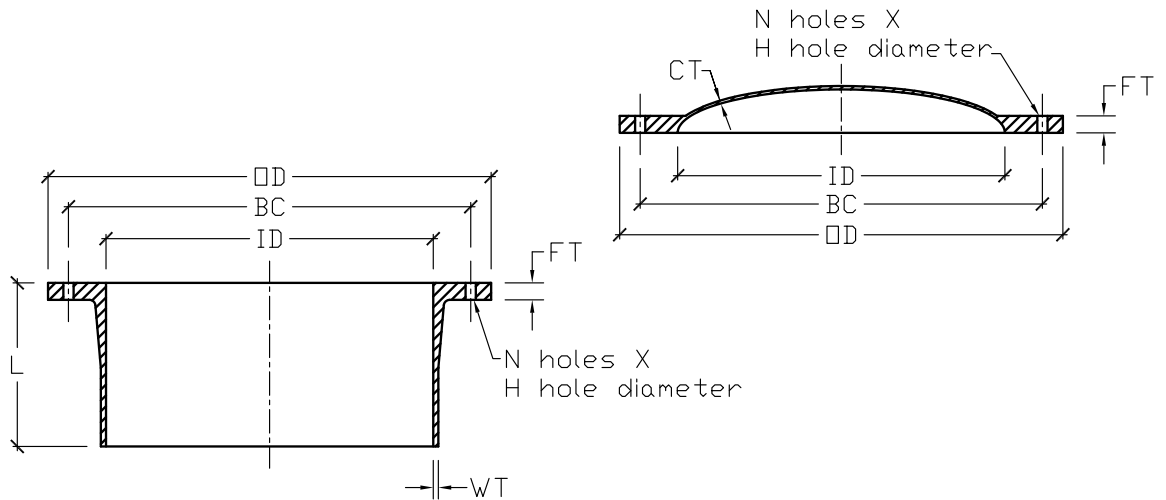


FRP MANWAY / MANHOLE + COVER
24" DIAMETER
ATMOSPHERIC



NOMINAL INSIDE DIAMETER [ID]	PRESSURE RATING PSI	OUTSIDE DIAMETER [OD]	BOLT CIRCLE DIAMETER [BC]	OVERALL LENGTH [L]	FLANGE THICKNESS [FT]	WALL THICKNESS [WT]	COVER THICKNESS [CT]	NUMBER OF HOLES [N]	BOLT HOLE DIAMETER [H]
24"	ATM	32-1/2"	29-1/2"	12"	3/8"	1/4"	3/8"	20	1/2"

Information appearing in this literature is provided as a guide for the use and application of the products being offered. It is not and does not represent a specific warranty or guarantee of the product or its performance. It is the user's responsibility to determine the suitability of this product for a specific application.

