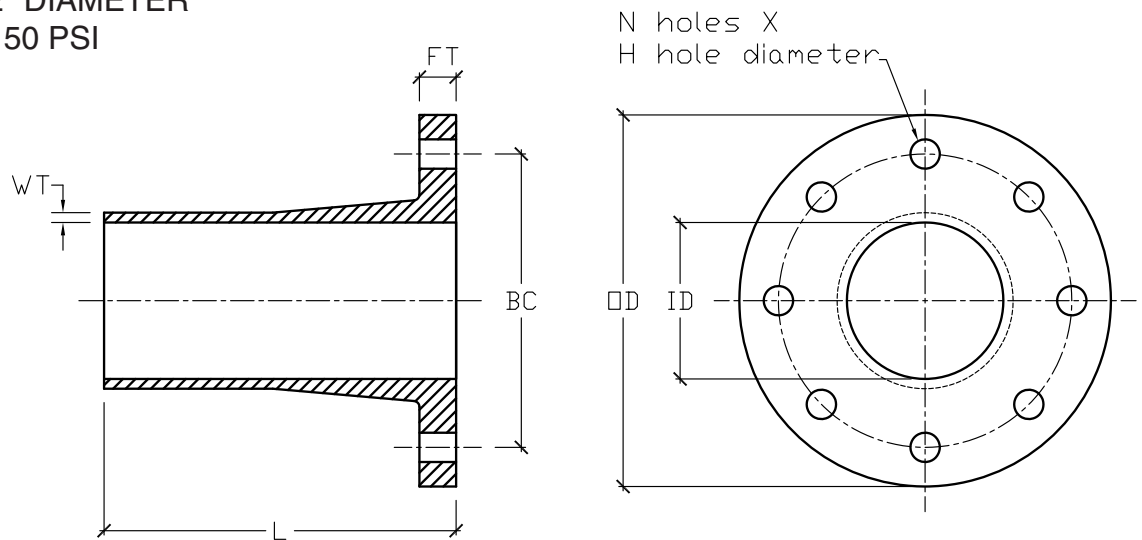



FRP STUB FLANGE
2" DIAMETER
150 PSI


NOMINAL INSIDE DIAMETER [ID]	PRESSURE RATING PSI	WALL THICKNESS [WT]	OVERALL LENGTH [L]	OUTSIDE DIAMETER [OD]	BOLT CIRCLE DIAMETER [BC]	FLANGE THICKNESS [FT]	NUMBER OF HOLES [N]	BOLT HOLE DIAMETER [H]
2"	150	1/4"	12"	6-1/2"	4-3/4"	3/4"	4	3/4"

Information appearing in this literature is provided as a guide for the use and application of the products being offered. It is not and does not represent a specific warranty or guarantee of the product or its performance. It is the user's responsibility to determine the suitability of this product for a specific application.

